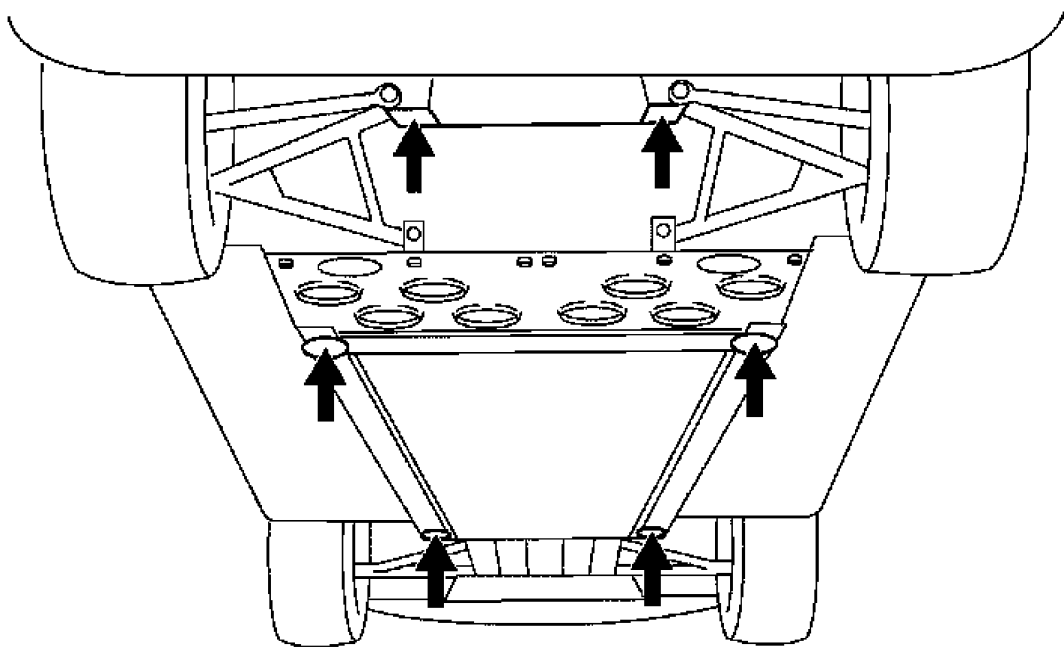


Jacking Points



T 9379

• Service

To avoid damage to components and aggregates, lifting equipment must only be used at the positions indicated. Observe the relevant manufacturer's instructions for the use of lifting equipment. A jack is not supplied with the vehicle.